

Level switch NS OM-VA (-K)



Fluid power applications that require both a visual indication and an electrical output for fluid level can use the NS OM-VA level switch. The unit is highly visible and is particularly suited to applications where the tank is hidden, or at a lower floor level.

- **infinitely variable level contacts**
- **monitoring of smaller level differences**
- **optional continuous analogue signal 4-20mA**
- **electrical connector included**
- **standard lengths of 250, 370 and 520 mm**
- **ease of installation**
- **maintenance free**

technical data

max operating pressure 1 bar
 max. operating temperature 80 °C
 spec. gravity of fluid min. 0,8 kg/dm³

material

float SK 903 PU/Alu/PP
 switch tube 1.4571
 flange 1.4571
 stilling tube 1.4571
 visual indicator tube PC

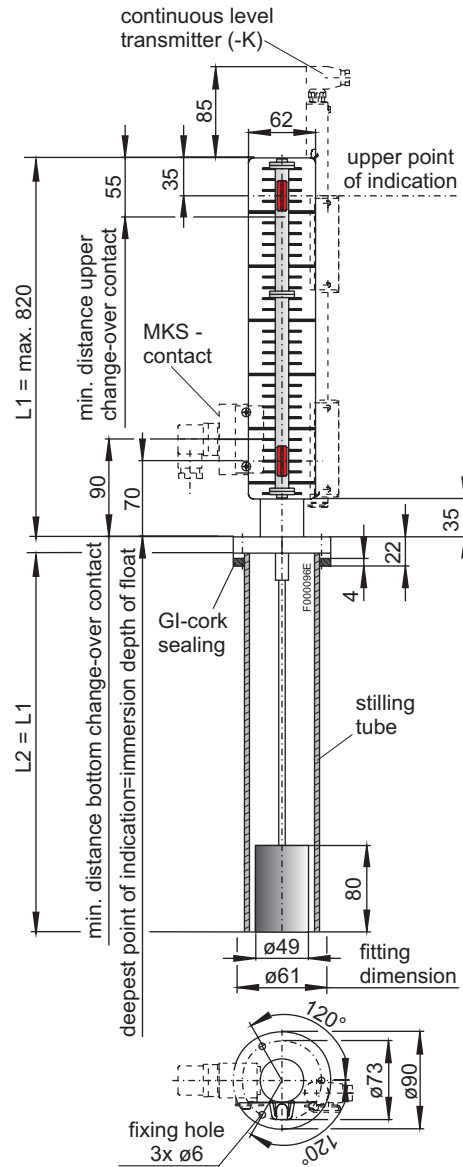
contacts

type	MKS-1/K	MKS-1/W
function (bistable)	NC / NO*	change over
max. operating voltage	230 V AC/DC	230 V AC/DC
max. contact load	50 VA	40 VA
max. current	1 A	1 A
connector	3 pol. + PE DIN 43650 (M3)	3 pol. + PE DIN 43650 (M3)
protection class	IP65	IP65
part-no.	2888999	2889999

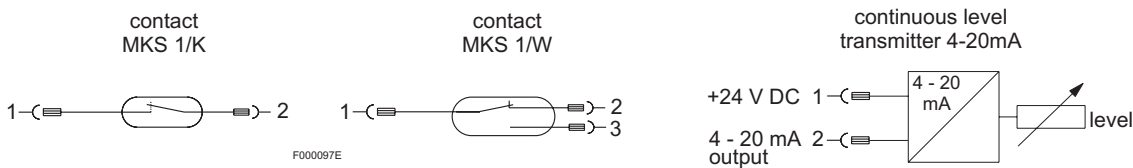
*NC=normally closed / NO=normally open, all figures at empty reservoir
 other contacts upon request

level transmitter (-K)

analogue output 4 - 20 mA
 resolution 7,5 mm
 max. load resistance $R=(U_B - 7,5 V) / 0,02 A$
 measuring resistor reed contact
 operating voltage (UB) 24 V DC ± 10%
 ripple < 1%



wiring diagram



order information

part-no of basic version, without contacts

length (mm)	L=250	L=370	L=520	L=variable
level switch NS OM-VA	1057999250	1057999370	1057999520	1057999

part-no of version with continuous level transmitter 4-20mA (-K)

length (mm)	L=220	L=370	L=520	L=670	L=820
level switch NS OM-VA-K	1057699220	1057699370	1057699520	1057699670	1057699820

order example:

you need: length L1=450mm, two level contacts MKS-1/K with function NC/NO

you order: part-no 1057999 level switch NS OM-VA , L1=450mm , 2x contacts MKS-1/K with part-no 2888999