



Condensate drain

11 LD V 38 (-O2)

Installation and Operation Instructions

Original instructions





Bühler Technologies GmbH, Harkortstr. 29, D-40880 Ratingen
Tel. +49 (0) 21 02 / 49 89-0, Fax: +49 (0) 21 02 / 49 89-20
Internet: www.buehler-technologies.com
E-Mail: analyse@buehler-technologies.com

Read this instruction carefully prior to installation and/or use. Pay attention particularly to all advises and safety instructions to prevent injuries. Bühler Technologies can not be held responsible for misusing the product or unreliable function due to unauthorised modifications.

All rights reserved. Bühler Technologies GmbH 2024

Document information

Document No..... BE450037
Version.....03/2024

Contents

1	Introduction	2
1.1	Intended use	2
1.2	Scope of delivery	2
1.3	Ordering instructions.....	2
2	Safety instructions	3
2.1	Important advice	3
2.2	General hazard warnings	4
3	Transport and storage	5
4	Installation and connection	6
4.1	Installation site requirements.....	6
4.2	Condensate drain connection	6
5	Operation and control	7
6	Maintenance.....	8
7	Service and repair.....	9
7.1	Safety instructions	9
7.2	Troubleshooting	9
7.3	Spare Parts and Accessories	10
8	Disposal	11
9	Appendices	12
9.1	Technical data	12
9.2	Dimensions	12
10	Attached documents	13

1 Introduction

1.1 Intended use

Condensate drains are intended for installation in gas analysis systems. They are used to drain condensate from self-contained gas systems.

The condensate drains meet the fundamental safety requirements of Directive 2014/34/EU and are suitable for use in category 2G, explosion group IIC areas. The condensate drains are not marked, as they do not have an innate ignition source and Directive 2014/34/EU therefore does not apply.

Non-flammable and flammable gases, explosion class IIC, which could occasionally be explosive during normal operation may be conveyed through the condensate drains.

Please note the specifications in the data sheet on the specific intended use, existing material combinations, as well as pressure and temperature limits.

1.2 Scope of delivery

- Condensate drain
- Product Documentation
- Hexagonal double nipple R3/8"-1/2 "NPT

1.3 Ordering instructions

Item no.	Model
4410001	11 LD V 38 *
4410001-O2	11 LD V 38 optimised for oxygen

* For use with high hydrogen concentrations max. 1.5 bar overpressure.

2 Safety instructions

2.1 Important advice

Operation of the device is only permitted if:

- the product is used under the conditions described in the installation- and operation instruction, the intended application according to the type plate and the intended use. In case of unauthorized modifications done by the user Bühler Technologies GmbH can not be held responsible for any damage,
- when complying with the specifications and markings on the nameplates.
- the performance limits given in the datasheets and in the installation- and operation instruction are obeyed,
- monitoring devices and safety devices are installed properly,
- service and repair is carried out by Bühler Technologies GmbH,
- only original spare parts are used.

This manual is part of the equipment. The manufacturer keeps the right to modify specifications without advanced notice. Keep this manual for later use.

Signal words for warnings

DANGER	Signal word for an imminent danger with high risk, resulting in severe injuries or death if not avoided.
WARNING	Signal word for a hazardous situation with medium risk, possibly resulting in severe injuries or death if not avoided.
CAUTION	Signal word for a hazardous situation with low risk, resulting in damaged to the device or the property or minor or medium injuries if not avoided.
NOTICE	Signal word for important information to the product.

Warning signs

These instructions include the following warnings:

	General warning sign		General mandatory sign
	Warning not to inhale toxic gases		Wear respiratory equipment
	Warning of corrosive substances		Wear a safety mask
	Warning of hot surfaces		Wear gloves

2.2 General hazard warnings

The equipment must be installed by a professional familiar with the safety requirements and risks.

Be sure to observe the safety regulations and generally applicable rules of technology relevant for the installation site. Prevent malfunctions and avoid personal injuries and property damage.

The operator of the system must ensure:

- Safety notices and operating instructions are available and observed,
- The respective national accident prevention regulations are observed,
- The permissible data and operational conditions are maintained,
- Safety guards are used and mandatory maintenance is performed,
- Legal regulations are observed during disposal,
- compliance with national installation regulations.
- the device is protected from mechanical loads.

Maintenance, Repair

Please note during maintenance and repairs:

- Repairs to the unit must be performed by Bühler authorised personnel.
- Only perform conversion-, maintenance or installation work described in these operating and installation instructions.
- Always use genuine spare parts.
- Do not install damaged or defective spare part. If necessary, visually inspect prior to installation to determine any obvious damage to the spare parts.

Always observe the applicable safety and operating regulations in the respective country of use when performing any type of maintenance.

DANGER



Toxic, corrosive gas/condensate

Sample gas/condensate may be hazardous to health.

- a) If necessary, ensure a safe gas/condensate discharge.
- b) Always disconnect the gas supply when performing maintenance or repairs.
- c) Protect yourself from toxic/corrosive gasses/condensate when performing maintenance. Wear appropriate protective equipment.



DANGER



Potentially explosive atmosphere

Explosion hazard if used in hazardous areas.

The device is not suitable for operation in hazardous areas with potentially explosive atmospheres.

Do not expose the device to combustible or explosive gas mixtures.

3 Transport and storage

Only transport the product inside the original packaging or a suitable alternative.

The equipment must be protected from moisture and heat when not in use. It must be stored in a covered, dry and dust-free room at a temperature of -20 °C to 60 °C (-4 °F to 140 °F).

4 Installation and connection

4.1 Installation site requirements

The operator is responsible for positioning and installing the condensate drain.

The unit is designed for use in weather-protected installations. Special protective measures are recommended for use in free-standing areas and in unfavourable ambient conditions.

CAUTION



Contamination of cleaned components

For condensate drains for O₂ applications (suffix -O2), contamination with oil, grease, dust, particles, lint, hair, etc. must be ruled out for fire protection reasons when working on components that come into contact with media. If necessary, adapt your operational and organisational measures with regard to the work clothing to be used, hygiene regulations, etc. If necessary, move such work to a suitable, cleaner work area.



4.2 Condensate drain connection

Depending on the material, build a connecting line with fittings and tubing or hose between the heat exchanger and condensate drain. For stainless steel, the condensate drain can be hung directly from the connecting tube; for hoses, the condensate drain must be secured separately using a clamp.

The condensate drain can be mounted directly to the heat exchanger.

When choosing the option for high-purity oxygen, make sure to select the suffix -O2. They are supplied individually packaged and should only be unpacked shortly before use to prevent soiling.

If the condensate drain 11 LD V 38 is used for high hydrogen concentrations, the system in which it is installed must be tested for leaks.

Condensate lines must always be installed with a slope and a minimum inside diameter of 6 mm (1/4").

5 Operation and control

NOTICE



The device must not be operated beyond its specifications.

DANGER



Impact

Strong blows to the housing can produce sparks, which can ignite an EX atmosphere. Protect the equipment from external impact. Damaged housing parts must be replaced immediately.

DANGER



Toxic, corrosive gas/condensate

Sample gas/condensate may be hazardous to health.

- a) If necessary, ensure a safe gas/condensate discharge.
- b) Always disconnect the gas supply when performing maintenance or repairs.
- c) Protect yourself from toxic/corrosive gasses/condensate when performing maintenance. Wear appropriate protective equipment.



Check that the condensate drain is functioning and not leaking when the appliance is first used and every time it is used again. To do this, 30 ml of water must be filled into the condensate drain.

To ensure correct function, the system pressure must be within the range of the marked working pressure of the condensate drain.

A correctly designed condensate drain operates automatically.

It must be ensured that the materials selected for the parts of the condensate drain in contact with media are suitable for the media used. Bühler Technologies accepts no liability for damage caused by corrosion due to aggressive media on parts made of unsuitable material.

6 Maintenance

No special maintenance work is required for the condensate drain.

Check the housing and the pipe connection for leaks at regular intervals.

During maintenance, remember:

- The equipment must be maintained by a professional familiar with the safety requirements and risks.
- Only perform maintenance work described in these operating and installation instructions.
- Observe the respective safety regulations and operating specifications when performing any type of maintenance.
- Always use genuine spare parts.
- With the option for high-purity oxygen, only use the explicitly designated replacement items with the suffix -O2.

DANGER

Toxic, corrosive gas/condensate

Sample gas/condensate may be hazardous to health.

- a) If necessary, ensure a safe gas/condensate discharge.
- b) Always disconnect the gas supply when performing maintenance or repairs.
- c) Protect yourself from toxic/corrosive gasses/condensate when performing maintenance. Wear appropriate protective equipment.



DANGER

Dangerous electrostatic charge (explosion hazard)

Incendive electrostatic charges may occur when cleaning plastic housing parts and decals (e.g. with a dry cloth or compressed air). The sparks this produces could ignite flammable, explosive atmospheres.

Always clean plastic housing parts and decals **with a damp cloth!**

Metal housing parts must be earthed.



7 Service and repair

This chapter contains information on troubleshooting and correction should an error occur during operation.

Repairs to the unit must be performed by Bühler authorised personnel.

Please contact our Service Department with any questions:

Tel.: +49-(0)2102-498955 or your agent

For further information about our services and customised maintenance visit <http://www.buehler-technologies.com/service>.

If the equipment is not functioning properly after correcting any malfunctions and switching on the power, it must be inspected by the manufacturer. Please send the equipment inside suitable packaging to:

Bühler Technologies GmbH

- Reparatur/Service -

Harkortstraße 29

40880 Ratingen

Germany

Please also attach the completed and signed RMA decontamination statement to the packaging. We will otherwise be unable to process your repair order.

You will find the form in the appendix of these instructions, or simply request it by e-mail:

service@buehler-technologies.com.

7.1 Safety instructions

- The device must be operated within its specifications.
- All repairs must be carried out by Bühler authorised personnel only.
- Only perform modifications, servicing or mounting described in this manual.
- Only use original spare parts.

DANGER



Toxic, corrosive gas/condensate

Sample gas/condensate may be hazardous to health.

- a) If necessary, ensure a safe gas/condensate discharge.
- b) Always disconnect the gas supply when performing maintenance or repairs.
- c) Protect yourself from toxic/corrosive gasses/condensate when performing maintenance. Wear appropriate protective equipment.



7.2 Troubleshooting

Problem/malfunction	Possible cause	Action
No flow	- Installation in the wrong flow direction	- Install the condensate drain in the direction indicated by the flow arrow. - Observe correct mounting position.
Low flow rate	- Incorrect mounting position - Blockage of the piping system or hose lines	- Observe correct mounting position. - Check piping system/hose lines
Leaks	- Damage to the unit/lines	- Visual inspection and replacement of parts if necessary

7.3 Spare Parts and Accessories

Item no.	Description
9022325	BAM-approved PTFE sealing tape (4.5 m roll)
see data sheet 400014	Stainless Steel Pipe Fittings and Plugs
see data sheet 400016	Stainless steel pipe fittings for high-purity oxygen applications

8 Disposal

The applicable national laws must be observed when disposing of the products. Disposal must not result in a danger to health and environment.

The crossed out wheelie bin symbol on Bühler Technologies GmbH electrical and electronic products indicates special disposal notices within the European Union (EU).



The crossed out wheelie bin symbol indicates the electric and electronic products bearing the symbol must be disposed of separate from household waste. They must be properly disposed of as waste electrical and electronic equipment.

Bühler Technologies GmbH will gladly dispose of your device bearing this mark. Please send your device to the address below for this purpose.

We are obligated by law to protect our employees from hazards posed by contaminated devices. Therefore please understand that we can only dispose of your waste equipment if the device is free from any aggressive, corrosive or other operating fluids dangerous to health or environment. **Please complete the "RMA Form and Decontamination Statement", available on our website, for every waste electrical and electronic equipment. The form must be applied to the packaging so it is visible from the outside.**

Please return waste electrical and electronic equipment to the following address:

Bühler Technologies GmbH
WEEE
Harkortstr. 29
40880 Ratingen
Germany

Please also observe data protection regulations and remember you are personally responsible for the returned waste equipment not bearing any personal data. Therefore please be sure to delete your personal data before returning your waste equipment.

9 Appendices

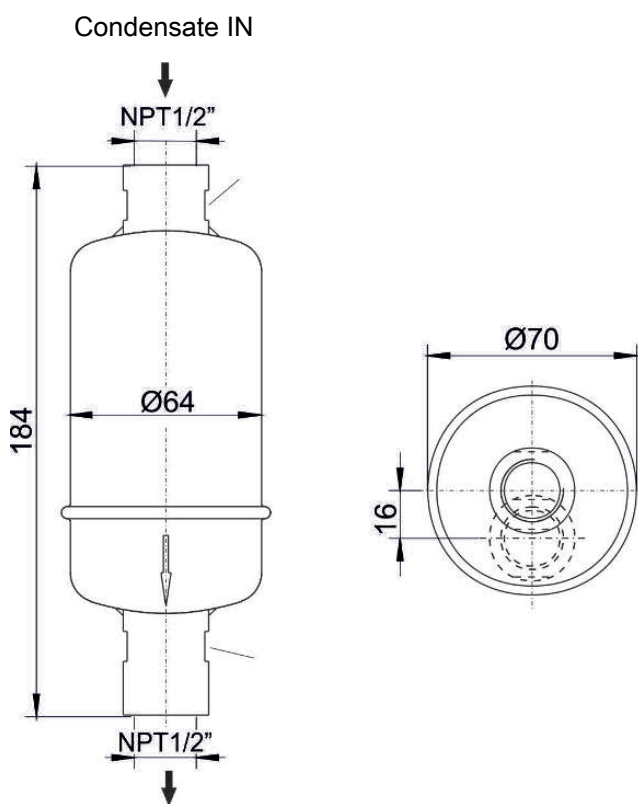
9.1 Technical data

Model	11 LD V 38	11 LD V 38-O2
max. operating pressure:	18 bar abs.*	2.5 bar abs.
max. medium temperature:	200 °C	200 °C
Ambient temperature:	+5 to +60 °C	+5 to +60 °C
Weight:	0.8 kg	0.8 kg
Material:	Stainless steel 1.4306, 1.4401, 1.4301	Stainless steel 1.4306, 1.4401, 1.4301

* For use with high hydrogen concentrations max. 1.5 bar overpressure.

9.2 Dimensions

11 LD V 38 (-O2)



10 Attached documents

- Manufacturer Declaration HX450001
- O₂ declaration (condensate drain)
- RMA – Decontamination Statement

Herstellererklärung Manufacturer Declaration



Hiermit erklärt Bühler Technologies GmbH, dass die nachfolgenden Produkte keine „Geräte“ im Sinne der Richtlinie **2014/34/EU (Atex)** sind und somit nicht mit einem CE-Zeichen versehen sind.

*Herewith Bühler Technologies GmbH declares that the following products are not „equipment“ for the purpose of Directive **2014/34/EU (Atex)**, respectively, and therefore are not labeled with the CE mark.*

Produkt / products: Kondensatableiter / *Condensate drains*
Typ / type: AK 5.1, AK 5.2, AK 5.5, AK 20, 11 LD V 38, 11 LD-V 38-O2

Die oben erwähnten Produkte besitzen keine eigenen Zündquellen, solange für Einbau, Montage, Betrieb, Wartung und Reinigung sämtliche Sicherheitsbestimmungen der Technischen Dokumentation und die einschlägigen Sicherheitsvorschriften (z.B. EN 60079-0, EN 60079-14, etc.) eingehalten werden. Beachten sie auch die Hinweise in den zugehörigen Datenblättern.

The products specified above have no own ignition sources, provided all safety regulations in the technical documentation and the relevant safety instructions (e.g. EN 60079-0, EN 60079-14, etc.) are observed during installation, assembly, operation, maintenance and cleaning. Note also the indications in the associated datasheets.

Kondensatableiter sind zum Einbau in Gasanalysesystemen bestimmt. Sie dienen zur Ableitung von Kondensat aus geschlossenen Gassystemen. Die Produkte sind für den Einsatz in explosionsgefährdeten Bereichen der Zone 1 (Explosionsgruppe IIB (Typen AK 5.1, AK 5.2, AK 5.5 und AK 20) oder IIC (Typ 11 LD V 38)) geeignet. Durch die Kondensatableiter können nichtbrennbare Gase und brennbare Gase, die im Normalbetrieb gelegentlich explosiv sein können, geleitet werden (Zone 1, Explosionsgruppe IIC (Typ 11 LD V 38) oder IIB (Typen AK 5.1, AK 5.2, AK 5.5 und AK 20)).

Condensate drains are intended for installation in gas-analysis systems. They will be used to drain of condensate from a gas-analysis system. The condensate drains can be used in zone 1 (explosion group IIB (Types AK 5.1, AK 5.2, AK 5.5 and AK 20) or IIC (Type 11 LD V 38)). Inflammable gases and flammable gases, only temporary explosive in normal operation, can led through the condensate drains (zone 1, explosion group IIB (Types AK 5.1, AK 5.2, AK 5.5 and AK 20) or IIC (Type 11 LD V 38)).

Das oben beschriebene Produkt der Erklärung erfüllt die einschlägigen Harmonisierungsrechtsvorschriften der Union:

The object of the declaration described above is in conformity with the relevant Union harmonisation legislation:
EN ISO 80079-36:2016 **EN ISO 80079-37:2016**

Zusätzlich wurden folgende nationale Normen, Richtlinien oder Spezifikationen berücksichtigt:

In addition, the following national standards, guidelines or specifications have been used:

TRGS 727

Die alleinige Verantwortung für die Ausstellung dieser Herstellererklärung trägt der Hersteller.

This declaration of manufacture is issued under the sole responsibility of the manufacturer.

Dokumentationsverantwortlicher für diese Herstellererklärung ist Herr Stefan Eschweiler mit Anschrift am Firmensitz.

The person authorised to compile the technical file is Mr. Stefan Eschweiler located at the company's address.

Ratingen, den 08.03.2024

Stefan Eschweiler
Geschäftsführer – *Managing Director*

Frank Pospiech
Geschäftsführer – *Managing Director*

Manufacturer Declaration



Herewith Bühler Technologies GmbH declares that the following products are not „equipment” for the purpose of legislation **Equipment and Protective Systems Intended for Use in Potentially Explosive Atmospheres Regulations 2016** respectively, and therefore are not labelled with the UKCA mark.

Product: Condensate drains
Types: AK 5.1
AK 5.2
AK 5.5
AK 20
11 LD V 38
11 LD V 38-O2

This declaration is valid for all devices manufactured in accordance with the manufacturing documents deposited with the manufacturer – which form an integral part of this declaration.

The products specified above have no own ignition sources, provided all safety regulations in the technical documentation and the relevant safety instructions (e.g. EN 60079-0, EN 60079-14, etc.) are observed during installation, assembly, operation, maintenance and cleaning. Note also the indications in the associated datasheets.

Condensate drains are intended for installation in gas-analysis systems. They will be used to drain of condensate from a gas-analysis system. The condensate drains can be used in zone 1 (explosion group IIB (Types AK 5.1, AK 5.2, AK 5.5 and AK 20) or IIC (Type 11 LD V 38)). Inflammable gases and flammable gases, only temporary explosive in normal operation, can led through the condensate drains (zone 1, explosion group IIB (Types AK 5.1, AK 5.2, AK 5.5 and AK 20) or IIC (Type 11 LD V 38)).

The object of the declaration described above is in conformity with the relevant designated standards:

EN ISO 80079-36:2016


EN ISO 80079-37:2016

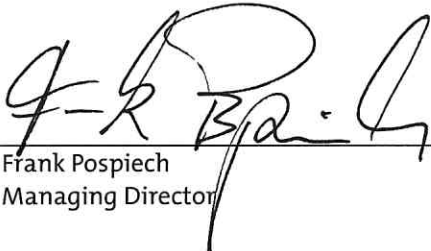
In addition, the following standards have been used:

TRGS 727

This declaration of manufacture is issued under the sole responsibility of the manufacturer.

Ratingen in Germany, 08.03.2024


Stefan Eschweiler
Managing Director


Frank Pospiech
Managing Director

O₂-Erklärung *O₂ Declaration*

**Kondensatableiter für den Einsatz mit
hochreinem Sauerstoff optimiert**

*Condensate Drains optimised for use with
high-purity oxygen*

Applikationen mit Sauerstoff: Partikel-, Öl- und Fettfreiheit

Mit dieser Erklärung bestätigen wir, dass alle medienberührenden Flächen der nachfolgenden Produkte in Anlehnung an die Vorgaben der EIGA Doc 33/18 und des VDA-Band 19 gereinigt und gefertigt sind.

Applications with oxygen: free of particles, oil and grease

With this declaration, we confirm that all surfaces of the following products that come into contact with media have been cleaned and manufactured in accordance with the specifications of EIGA Doc 33/18 and VDA Volume 19.

Produkt / Product	Kondensatableiter / Condensate Drains
Typen / Type:	11 LD V 38 -O2
Art-Nr. / Item no.:	4410001-O2

Ratingen, den 25.04.2024

Bühler Technologies GmbH



Condensate drains optimized for use with high-purity oxygen

Applications with oxygen: Free from particles, oil and grease



For use with high-purity oxygen, the product requires special cleaning to ensure that it is free from oil and grease, as oxygen is a strong oxidising agent. Under unfavourable conditions, oxygen can cause spontaneous combustion of organic substances such as particles, oils and fats, and generally promotes the combustion of substances. Oils and fats can even react explosively on contact with oxygen. We use special cleaning and production processes to ensure the safe use of our products with high-purity oxygen and to avoid the above-mentioned undesirable reactions.

With this declaration, we confirm that all surfaces of the following products that come into contact with media have been cleaned and manufactured in accordance with the requirements of EIGA Doc 33/18 and VDA Volume 19.

Product:	Condensate drain
Type:	11 LD V 38 -O2
Item no.:	4410001-O2

The material used for the “O2” condensate drain is high-quality stainless steel, which has been tested by Bühler Technologies for its suitability for oxygen applications.

All components in contact with the medium undergo a special cleaning process to reliably remove impurities (such as oil, grease and particles). This process is documented by a comprehensive delivery specification to the service provider and compliance with the limits is verified with regular analyses by an independent, accredited laboratory.

The contamination limits of the surfaces in contact with media are defined as follows (as in EIGA Doc 33/18 Cleaning of Equipment for oxygen service):

	Contamination limits
Non-volatile organic or inorganic impurities:	≤ 220 mg/m ² for non-volatile impurities
Particles:	≤ 22 particles/m ² between 500 µm and 1000 µm

The condensate drains are cleaned and packaged by an external service provider to prevent them from becoming soiled again until they are installed at the customer's premises.

Compliance with the contamination limits is documented by the external service provider by means of factory test certificates (free of oil and grease) and a test report (free of dust and dirt). After cleaning, the condensate drains are packed in airtight and dustproof packaging and clearly labeled “Cleaned for oxygen service. Do not open until ready for use”.

All described cleaning properties are lost if the product comes into contact with oily or greasy media or is otherwise contaminated from the outside.



RMA-Formular und Erklärung über Dekontaminierung

RMA-Form and explanation for decontamination



RMA-Nr./ RMA-No.

Die RMA-Nr. bekommen Sie von Ihrem Ansprechpartner im Vertrieb oder Service. Bei Rücksendung eines Altgeräts zur Entsorgung tragen Sie bitte in das Feld der RMA-Nr. "WEEE" ein./ You may obtain the RMA number from your sales or service representative. When returning an old appliance for disposal, please enter "WEEE" in the RMA number box.

Zu diesem Rücksendeschein gehört eine Dekontaminierungserklärung. Die gesetzlichen Vorschriften schreiben vor, dass Sie uns diese Dekontaminierungserklärung ausgefüllt und unterschrieben zurücksenden müssen. Bitte füllen Sie auch diese im Sinne der Gesundheit unserer Mitarbeiter vollständig aus./ This return form includes a decontamination statement. The law requires you to submit this completed and signed decontamination statement to us. Please complete the entire form, also in the interest of our employee health.

Firma/ Company

Firma/ Company	<input type="text"/>
Straße/ Street	<input type="text"/>
PLZ, Ort/ Zip, City	<input type="text"/>
Land/ Country	<input type="text"/>

Gerät/ Device	<input type="text"/>
Anzahl/ Quantity	<input type="text"/>
Auftragsnr./ Order No.	<input type="text"/>

Ansprechpartner/ Person in charge

Name/ Name	<input type="text"/>
Abt./ Dept.	<input type="text"/>
Tel./ Phone	<input type="text"/>
E-Mail	<input type="text"/>
Serien-Nr./ Serial No.	<input type="text"/>
Artikel-Nr./ Item No.	<input type="text"/>

Grund der Rücksendung/ Reason for return

- Kalibrierung/ Calibration Modifikation/ Modification
 Reklamation/ Claim Reparatur/ Repair
 Elektroaltgerät/ Waste Electrical & Electronic Equipment (WEEE)
 andere/ other

bitte spezifizieren/ please specify

Ist das Gerät möglicherweise kontaminiert?/ Could the equipment be contaminated?

- Nein, da das Gerät nicht mit gesundheitsgefährdenden Stoffen betrieben wurde./ No, because the device was not operated with hazardous substances.
 Nein, da das Gerät ordnungsgemäß gereinigt und dekontaminiert wurde./ No, because the device has been properly cleaned and decontaminated.
 Ja, kontaminiert mit:/ Yes, contaminated with:



explosiv/
explosive



entzündlich/
flammable



brandfördernd/
oxidizing



komprimierte
Gase/
compressed
gases



ätzend/
caustic



giftig,
Lebensgefahr/
poisonous, risk
of death



gesundheitsge-
fährdend/
harmful to
health



gesund-
heitsschädlich/
health hazard



umweltge-
fährdend/
environmental
hazard

Bitte Sicherheitsdatenblatt beilegen!/ Please enclose safety data sheet!

Das Gerät wurde gespült mit:/ The equipment was purged with:

Diese Erklärung wurde korrekt und vollständig ausgefüllt und von einer dazu befugten Person unterschrieben. Der Versand der (dekontaminierten) Geräte und Komponenten erfolgt gemäß den gesetzlichen Bestimmungen.

This declaration has been filled out correctly and completely, and signed by an authorized person. The dispatch of the (decontaminated) devices and components takes place according to the legal regulations.

Falls die Ware nicht gereinigt, also kontaminiert bei uns eintrifft, muss die Firma Bühler sich vorbehalten, diese durch einen externen Dienstleister reinigen zu lassen und Ihnen dies in Rechnung zu stellen.

Should the goods not arrive clean, but contaminated, Bühler reserves the right, to commission an external service provider to clean the goods and invoice it to your account.

Firmenstempel/ Company Sign

Datum/ Date

rechtsverbindliche Unterschrift/ Legally binding signature



Vermeiden von Veränderung und Beschädigung der einzusendenden Baugruppe

Die Analyse defekter Baugruppen ist ein wesentlicher Bestandteil der Qualitätssicherung der Firma Bühler Technologies GmbH. Um eine aussagekräftige Analyse zu gewährleisten muss die Ware möglichst unverändert untersucht werden. Es dürfen keine Veränderungen oder weitere Beschädigungen auftreten, die Ursachen verdecken oder eine Analyse unmöglich machen.

Umgang mit elektrostatisch sensiblen Baugruppen

Bei elektronischen Baugruppen kann es sich um elektrostatisch sensible Baugruppen handeln. Es ist darauf zu achten, diese Baugruppen ESD-gerecht zu behandeln. Nach Möglichkeit sollten die Baugruppen an einem ESD-gerechten Arbeitsplatz getauscht werden. Ist dies nicht möglich sollten ESD-gerechte Maßnahmen beim Austausch getroffen werden. Der Transport darf nur in ESD-gerechten Behältnissen durchgeführt werden. Die Verpackung der Baugruppen muss ESD-konform sein. Verwenden Sie nach Möglichkeit die Verpackung des Ersatzteils oder wählen Sie selber eine ESD-gerechte Verpackung.

Einbau von Ersatzteilen

Beachten Sie beim Einbau des Ersatzteils die gleichen Vorgaben wie oben beschrieben. Achten Sie auf die ordnungsgemäße Montage des Bauteils und aller Komponenten. Versetzen Sie vor der Inbetriebnahme die Verkabelung wieder in den ursprünglichen Zustand. Fragen Sie im Zweifel beim Hersteller nach weiteren Informationen.

Einsenden von Elektroaltgeräten zur Entsorgung

Wollen Sie ein von Bühler Technologies GmbH stammendes Elektroprodukt zur fachgerechten Entsorgung einsenden, dann tragen Sie bitte in das Feld der RMA-Nr. „WEEE“ ein. Legen Sie dem Altgerät die vollständig ausgefüllte Dekontaminierungserklärung für den Transport von außen sichtbar bei. Weitere Informationen zur Entsorgung von Elektroaltgeräten finden Sie auf der Webseite unseres Unternehmens.

Avoiding alterations and damage to the components to be returned

Analysing defective assemblies is an essential part of quality assurance at Bühler Technologies GmbH. To ensure conclusive analysis the goods must be inspected unaltered, if possible. Modifications or other damages which may hide the cause or render it impossible to analyse are prohibited.

Handling electrostatically conductive components

Electronic assemblies may be sensitive to static electricity. Be sure to handle these assemblies in an ESD-safe manner. Where possible, the assemblies should be replaced in an ESD-safe location. If unable to do so, take ESD-safe precautions when replacing these. Must be transported in ESD-safe containers. The packaging of the assemblies must be ESD-safe. If possible, use the packaging of the spare part or use ESD-safe packaging.

Fitting of spare parts

Observe the above specifications when installing the spare part. Ensure the part and all components are properly installed. Return the cables to the original state before putting into service. When in doubt, contact the manufacturer for additional information.

Returning old electrical appliances for disposal

If you wish to return an electrical product from Bühler Technologies GmbH for proper disposal, please enter "WEEE" in the RMA number box. Please attach the fully completed decontamination declaration form for transport to the old appliance so that it is visible from the outside. You can find more information on the disposal of old electrical appliances on our company's website.

