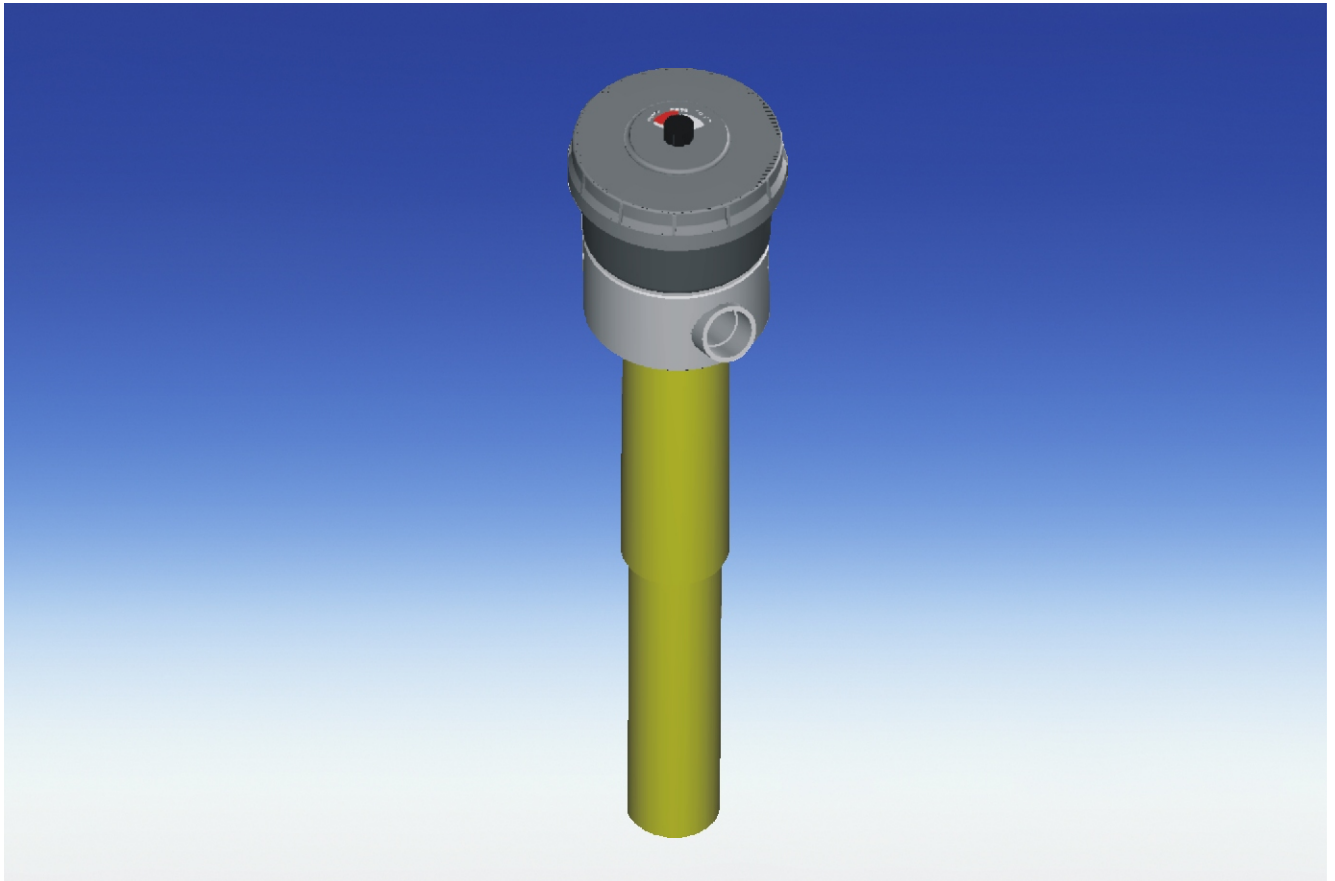


Filling Adapter G1/2-DC

Filling Adapter G 1-DC

- Daimler specification -



The reduction of maintenance costs is of high importance to operators of fluid power and lubrication systems. Therefore systematic oil care is considered a high priority. If the oil is kept in good condition the lifetime of both oil and system components can be cost effective.

Systematic oil care also requires changes to current filling and topping up practices. The use of filter carts makes this task more efficient.

In order to reduce installation costs and space the combination of a breather filter with filling and sample port has been designed. Both ports are equipped with quick disconnects for fast and clean operation. The filling channel is completely separated from the breathing function. The breather filter element is disposable and available in different retention rates and materials. A contamination indicator for the filter is available either as a visual or electrical unit.

The filling adapter in this configuration complies with the Daimler requirements.

Please note that our product range contains more Daimler specific versions of the Nivotemp and Nivovent series.

- **Easy installation**
- **Compact design**
- **Clean operation**
- **Visual filter indicator 50%, 75% and 100%**
- **DIN flange fits on existing reservoirs**

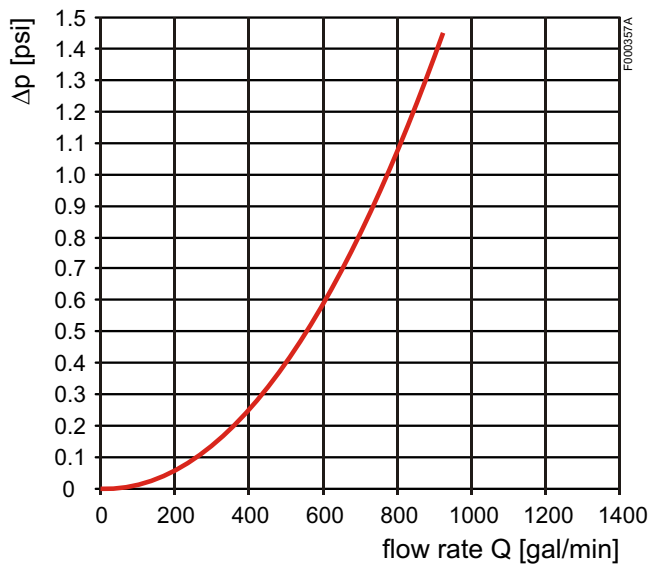
Technical Data

Max. operating temperature	80 °C (176 °F)
Filter element (retention rate)	SM-L (3 µm)
Visual filter indicator	50%, 75% and 100%

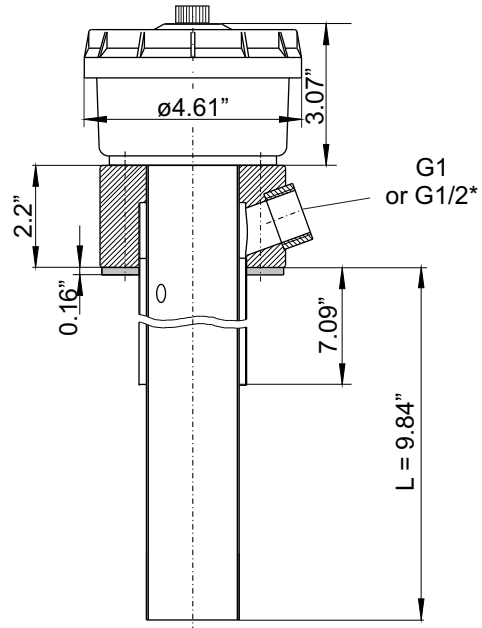
Material

Breather housing material	Polyamide
Flange	galvanized steel
Tube	brass

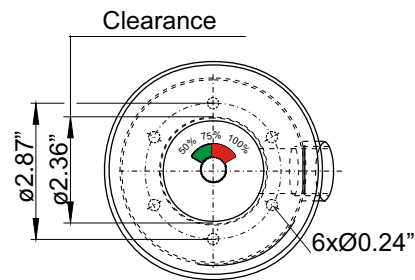
Low / Differential Pressure Diagram



Dimensions



*For connecting G1/2 flange use adapter



Order Information

Filling adapter G1/2-DC with breather SM-L

Part No.	Length L
1088299	9.84"

Filling adapter G1-DC with breather SM-L

Part No.	Length L
1088499	9.84"