

Thermotronic 61-AAG2 Thermotronic 61-AAG4

- Audi Specification -



Since the viscosity of oil changes with temperature precise control of the actual temperature is most important in fluid power and lubrication systems. Depending on the application, continuous and precise control is essential.

The Thermotronic 61 series offers modern solid state electronics with an LED display for excellent visibility. This product was developed for applications in the fluid power industry.

The unit is based on a microprocessor and features up to six individually programmable alarm outputs, can be set in °C or °F and has a maximum and minimum memory. The Thermotronic allows all important control functions in hydraulic and lube systems such as minimum temperature, heater on/off, cooler on/off, alert, emergency off.

Operation and settings are done via three keys on the front panel. The unit can be installed as a remote display or directly attached to the sensor on the tank top.

The Thermotronic 61 AAG2 + 4 in this configuration complies with the AUDI requirements.

- **Freely programmable set points**
- **Digital LED display**
- **Maximum / minimum memory**
- **Data storage in case of power supply failure**
- **Display in °C or °F**
- **Various cable connectors**
- **Easy installation**
- **Versatile combinations**

Technical Data

TF M-PT 100

Material probe	brass
Max. operating pressure	5 bar (72.5 psi)
Length of probe	380 mm (14.96")
Temperature sensor	Pt100 (RTD) class B DIN / IEC 751 / 4W
Connector	Male plug M12 (4 pol.)
Protection class	IP67

Thermotronik 61

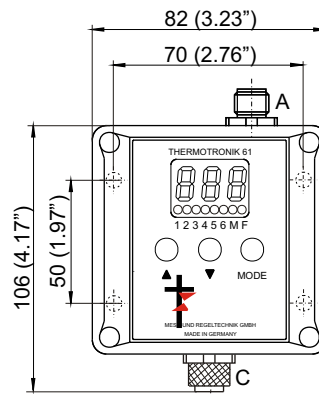
Range of temperature display	from 4° to 248 °F / -20 to +120 °C
Alarm Indicator Range	32° to 178 °F or 0 to +99 °C
Programmable set points	AAG2 = 2 x AAG4 = 4 x

Housing	ABS-plastic
Depth of housing	2.17"
Protection class	IP 65
Display	three digit seven segment-and LED-display light emitting diodes for status display

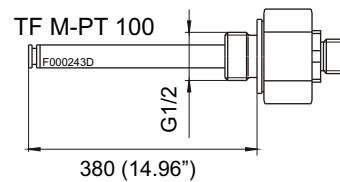
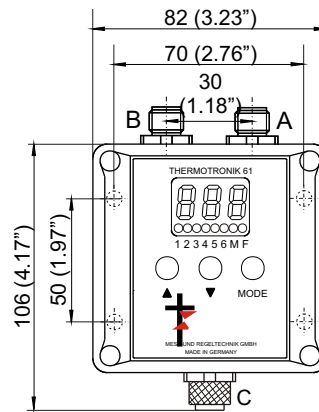
Current consumption at power up	about 140 mA for 100 ms
Operating current consumption	about 30 -70 mA
Supply voltage	24 VDC ±10 %
Output switches	max. 24V / 1A
Ambient temperature	32 - 158 °F
Accuracy	1 % of full scale
Resolution	2 °F / 1 °C
Programming	3 button keypad
Connector in	M12 (4-pol.)
Connector out	AAG2 = 1 x M12 (5-pol.) AAG4 = 2 x M12 (5-pol.)

Scope of delivery connection cable 2 x M12 length 4.9 ft

Thermotronik 61-AAG2

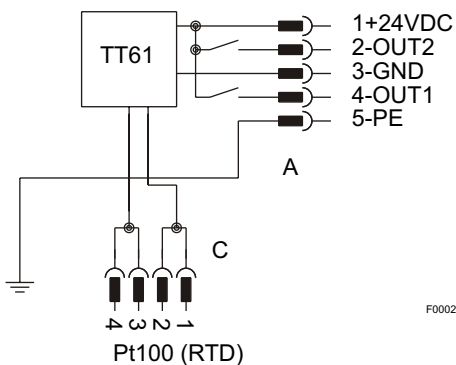


Thermotronik 61-AAG4

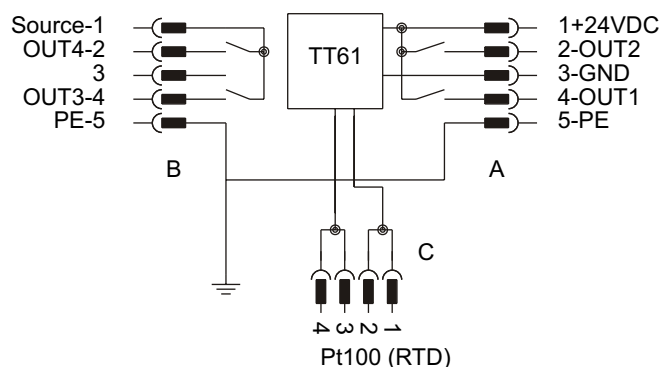


Wiring diagram

Thermotronik 61-AAG2



Thermotronik 61-AAG4



Order Information

Thermotronik 61-AAG2	
Part-no.	Length L
1411899	380 mm 14.96"

Thermotronik 61-AAG4	
Part-no.	Length L
1411999	380 mm (14.96")

Accessories

Part No. 9144050018

Connecting cable M12 x 1 with 5 pole M12 plug cable length: 9.8 ft material: PUR