



Water alarm unit WW3, WW10

The ingress of water or condensation in hydraulic or lubrication systems changes the properties of the oil and increases wear on bearings and other components. The separated free water therefore needs to quickly be removed from oils with good demulsifying properties.

To detect free water in these applications, physical interface measurement is a reliable method and the basis for our unique water alarm. Optional installation kits make them easier to install and assemble.

The WW3 and WW10 series are equipped with a special float which is balanced to not become buoyant in oil but float in water.

The housing volume has been reduced so the top contact is activated at approx. 1 litre of water. The bottom contact serves as an alert. These contacts are activated by the float without contact and are separate from the measuring chamber.

If the bottom of the tank has the corresponding design, the function of the water alarm can also be combined with a level and temperature switch. Water alarms with two switching points and for higher operating pressures are available on request.

Reliable, physical measuring process

High sensitivity

Easy installation

Independent of oil chemistry

Assembly kit available

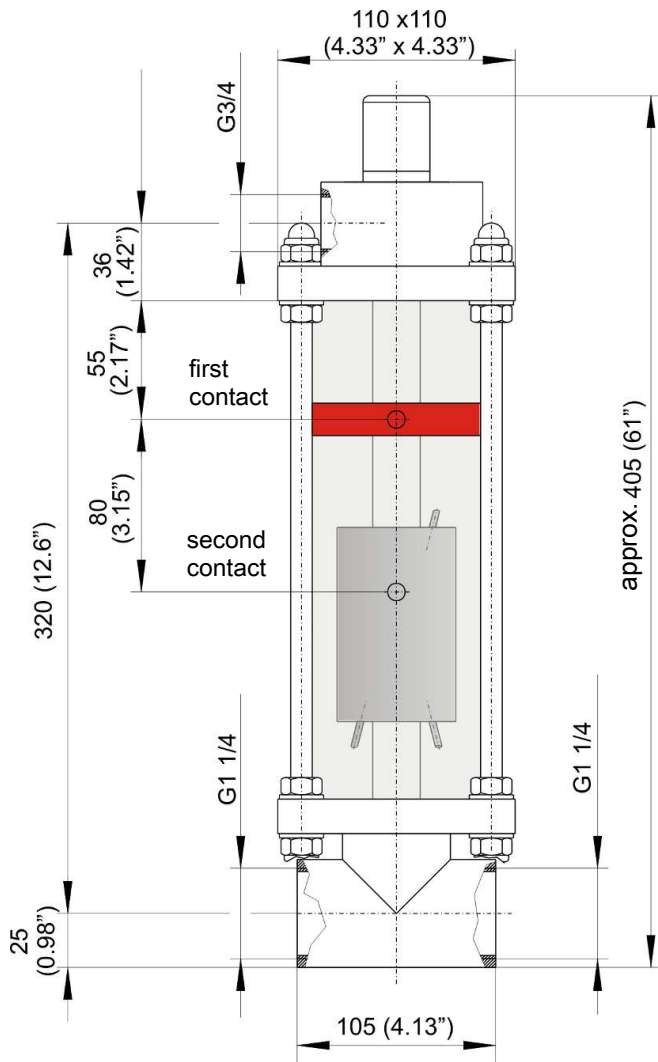


Technical Data

Technical Data WW3 and WW10

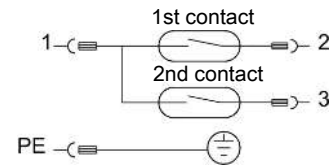
Max. operating pressure:	WW3 = 3 bar WW10 = 10 bar
Operating temperature:	0 °C to 80 °C
Max. viscosity:	1200 mm ² /s
Max. density of oil:	0.86 kg/dm ³
Material	
Housing:	WW3 = transparent shell WW10 = steel shell
Float:	PP
Contact type:	Reed contacts, 2x each as NO contact, NC contact or change-over (also see contact assignment)
Max. operating voltage:	230 V AC/DC
Max. switching output:	NO contact/NC contact 50 VA (AC)/50 W (DC) Change-over 40 VA/40 W
Max. switching current:	1 A
Plug connection:	S6 (6 pin + PE DIN EN 175301-803)
IP rating:	IP65
Cable fitting:	PG 11
Weight:	WW3 = 6 kg WW10 = 8 kg

Dimensions/contact assignment

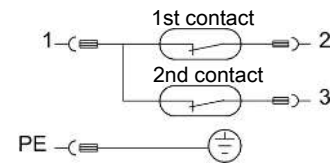


Contact assignment

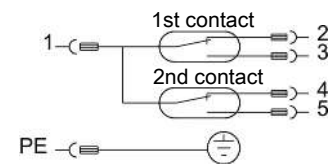
WW3 / WW10



WW3-SO / WW10-SO



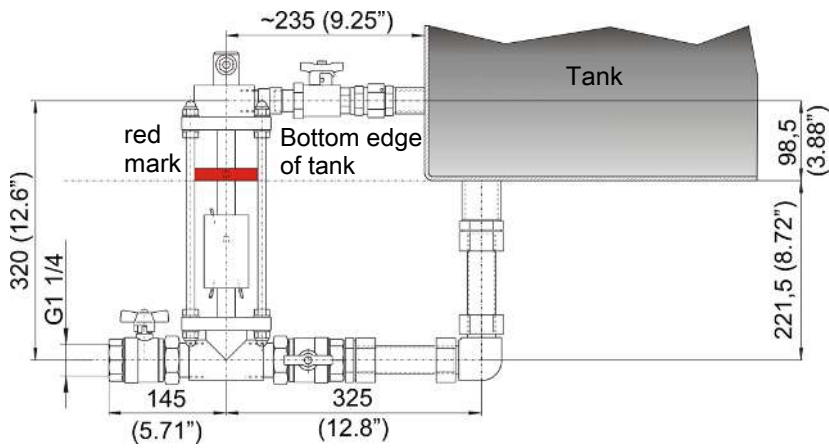
WW3-SW / WW10-SW



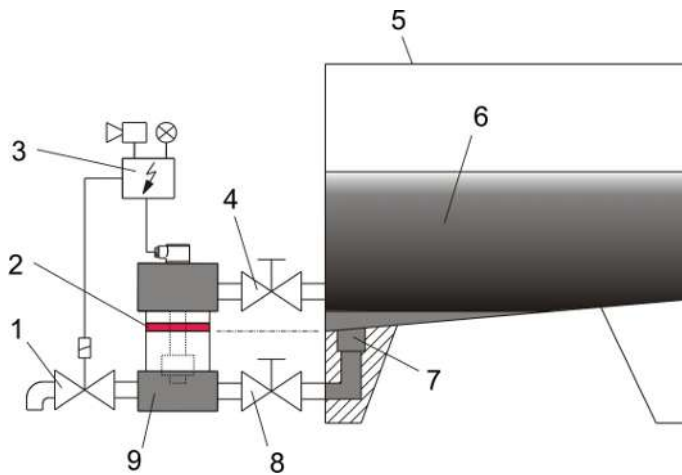
All information are **empty tank** or float on bottom.

Assembly kit

The assembly kit shown enables compact and easy installation of the water alarm to the oil tank. The set includes all connections, fittings and shut-off valves. The fitting lengths provide the smallest possible dead volume. It mounts to the tank with two welded sleeves.



Installation principle



1 Drain valve	2 red mark
3 Control/signal unit	4 upper check valve
5 Tank	6 Oil
7 Water	8 lower check valve
9 Water alarm units	

Ordering Instructions

Item no.:	Description
30 01 999	Water alarm WW3
30 02 999	Water alarm WW3-SO
30 09 999	Water alarm WW3-SW
30 05 999	Water alarm WW10
30 06 999	Water alarm WW10-SO
30 00 999	Water alarm WW10-SW
31 01 999	Assembly kit