



Sample gas probe GAS 222.20-HT

In many applications gas analysis is the key for safe and efficient control of process flows, environmental protection and quality assurance. In extractive gas analysis the location of the gas sampling point is crucial for the reproducibility and accuracy of the analysis results.

The specific filter capacity, corrosion resistance and functional equipment requirements for the probe arise from the composition of the sample gas.

However, operating costs are also an important criterion in the selection, as the sampling points are frequently located at hard to access points in the system. Effective particle filter backwashing options and low maintenance characterise the extensive GAS probe series.

Heated probe with downstream filter and weather hood

The downstream filter can easily be removed by turning the handle 90°

The probe body and the area around the screw connection for the heated sample gas line are completely isolated

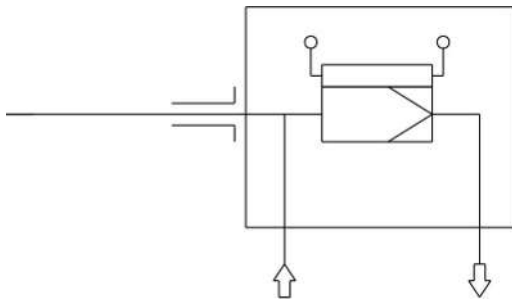
Electronic temperature controller up to 280 °C with Pt100, high/low temperature alarm and display

For dust loads up to 2 g/m³

This probe is not suitable for use in Ex areas



Flow chart



Technical Data

Gas Probe Technical Data

Probe operating temperature:	max. 280 °C
Controller temperature range:	+50 to +280 °C
Ambient temperature:	-20 to +70 °C (can be limited by optional add-ons)
Low/high temperature alarm:	Alarm adjustable $\pm 5 \dots 30$ K from setpoint, factory preset 15 K Switching current max. 1 A
Electrical data:	230 V, 2.0 A, 50/60 Hz 115 V, 3.8 A, 50/60 Hz
IP rating:	IP54
Max. operating pressure:	6 bar
Material:	1.4571
Parts in contact with media:	Seals: Graphit/1.4404 and see filter

Ordering instructions

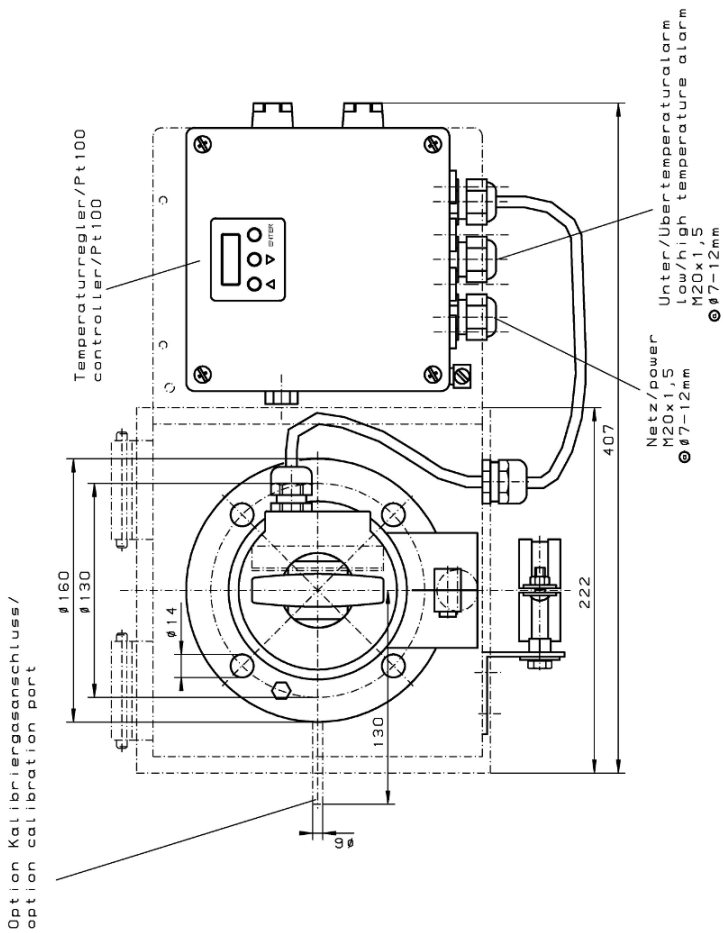
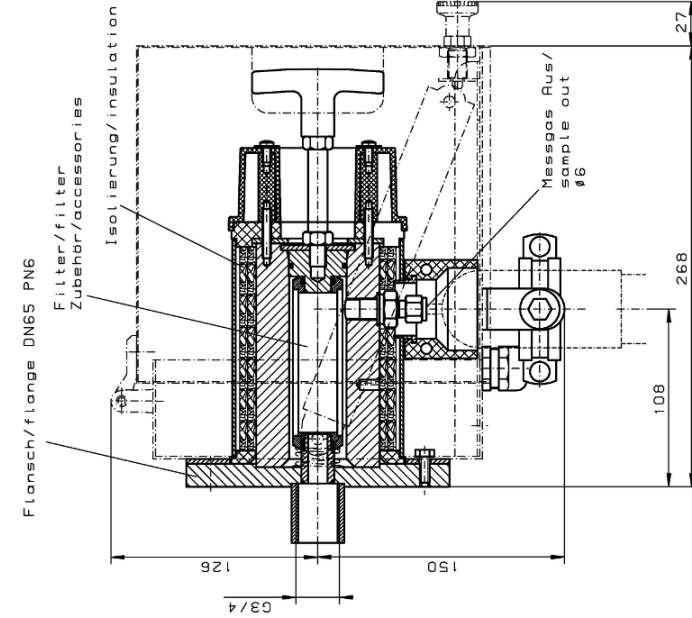
Item no.	Base unit
46 222 20HT	GAS 222.20-HT, 230 V
46 222 22HT	GAS 222.20-HT, 115 V

Options

The base unit becomes functional by adding accessories suitable for the application. Please refer to accessory data sheet no. 461099 for information.

Please also refer to data sheet no. 461000 "GAS 222 Gas Probes" for a general description.

Dimensions



Art. Nr./part-no.	4622220HT	4622222HT
Werkstoffe/materials	1.4571 / SS316Ti	
-Flansch, Kopf / flange, head	max. 280°C / 536°F	
Betriebstemperatur Sonde/ operating temperature probe	230V 50/60Hz 440W 115 50/60Hz 425W	
Heizung / heater	50 ... 280°C / 122 ... 536°F	
-Temperaturbereich / temperature range	±5 ... 30°C / ±9 ... 54°F	
-Alarm einstellbar / alarm adjustable	vom Sollwert / from set-point	
werkseitig eingestellt / factory set	±15°C / ±27°F	
max. Schaltstrom / max. current	1A	
-Schutzart / degree of protection	IP54	
-Umgebungstemperatur / ambient temperature	-20 ... +70°C / -4 ... +158°F	

ALLE RECHTE VORBEHALTEN	Maßstab 1:2	(Gewicht)
ALLE Kanten gerundet	Maße ohne Toleranzen nach ISO 2768-mk	Herkstoff:
Überflächen- bearbeitungen	Maßstab 1:10, 2005	Benennung
∇ = √	Maßstab 1:10, 2005	Gasnahmesonde/ sample gas probe
∇ = √	Maßstab 1:10, 2005	GAS 222.20-HT
∇ = √	Maßstab 1:10, 2005	Zeichn.-Nr.-46/126-Z01-01-2A
∇ = √	Maßstab 1:10, 2005	Art.-Nr.
∇ = √	Maßstab 1:10, 2005	ABEILISANWEISUNG.