



Sample gas water cooler and gas scrubber

In addition to electric sample gas coolers, we also offer scrubbers and water coolers for specific applications. The following models describe some of the basic versions. Please contact us with your request; we will gladly provide you with a version for your specific application:

Water Cooler 170 IST and 170 IST Titanium

Sample gas is transported through a tube coil inside an outer shell water flows through. The condensate outlet is located at the bottom of the unit, along with a thermometer (not applicable to titanium version) which displays the gas outlet temperature. Model 170 IST Titanium is entirely made from titanium.

Gas Scrubber 161 PVDF spec.

Gas scrubbers utilise the direct contact between the flow of sample gas and water to remove undesirable components from the sample gas. The gas inlet is far below the water level. The purified gas is discharged at the gas scrubber head.

water connection for ease of use

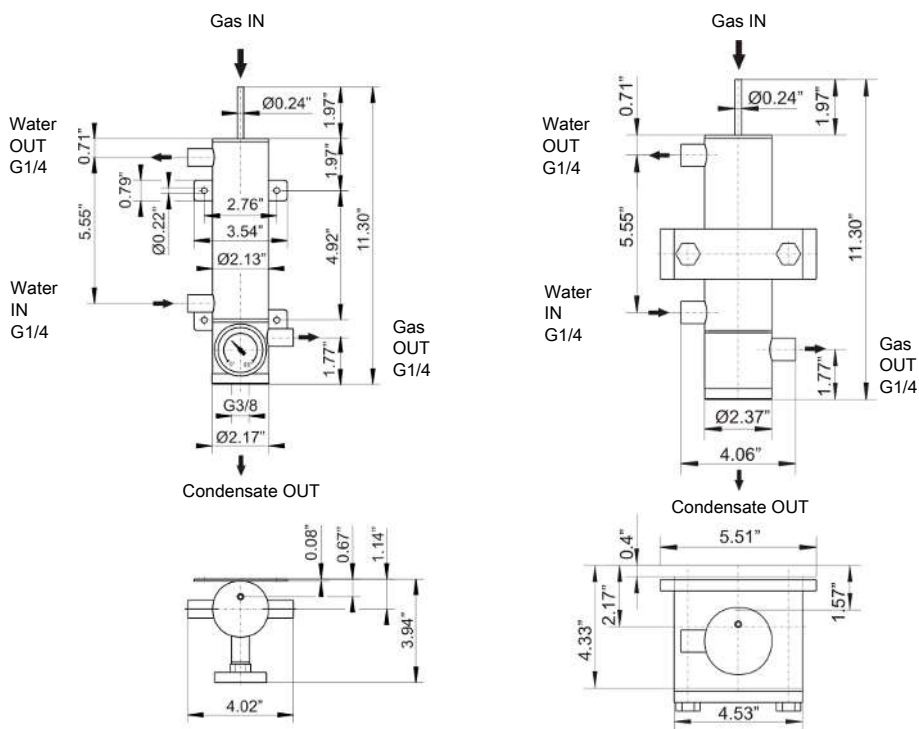
non-electric equipment



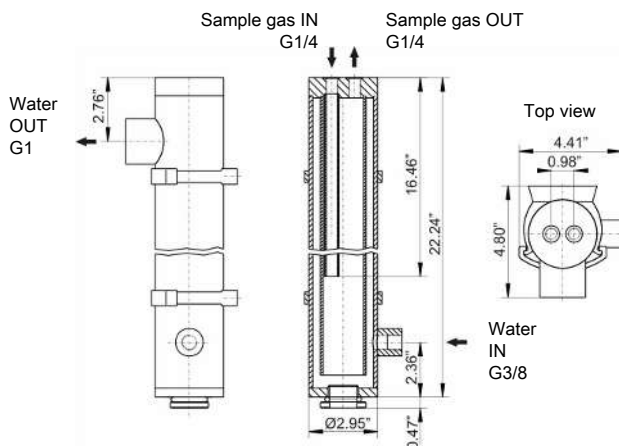
Technical Data

Technical Data	170 IST	170 IST Titanium	161 PVDF spec.
Device model:	Water cooler	Water cooler	Gas scrubber
Cooling medium:	Water	Water	-
Material:	1.4571	Titanium	PVDF
Max. operating pressure:	362 psi	218 psi	29 psi
Max. medium inlet temperature:	320 °F	320 °F	176 °F
Ambient temperature:	36 to 113 °F	36 to 113 °F	36 to 113 °F
Max. water volume:	-	-	2 lpm
Max. flow rate:	-	-	4 lpm

Dimensions type 170 IST/170 IST Titanium



Dimensions type 161 PVDF spec.



Ordering instructions

Item no.	Description
46 12 999	170 IST
46 41 999	170 IST Titanium
46 80 999	161 PVDF spec.