



Off-line cooler ENK

Temperature is one of the key parameters in oil-hydraulic systems. Oils change their viscosity with the temperature, resulting in different lubricating and adhesion properties.

A carefully selected temperature level can also significantly extend the life of the oils.

In return condensers the temporary oil flow causes the cooling capacity to fluctuate. To prevent this effect, a bypass cooler consisting of oil/air cooler with built-in circulating pump is advisable. These combinations ensure a stable oil flow and constant cooling.

The ENK series is characterised by efficient cooling matrices made from high-strength aluminium as well as a compact, simple and affordable design. These are equipped with energy-efficient drive motors combined with sturdy gerotor pumps.

High cooling capacities

Compact design

System-compatible cooling matrix/flow rate ratio

Low noise emission

Rugged cooling matrix

Efficient high suction pump



Planning information

Set-up

The cooler must be set up so it does not interfere with the air supply and exhaust. The distance to air obstacles behind the cooler should be at least half the cooler height (dimension B).

Ensure adequate ventilation. During set-up, avoid exiting hot air or noise emission from causing problems.

If the ambient air is dirty, excess deposit on the cooling matrix must be expected. This will reduce the cooling capacity. In this case, particularly in the case of air loaded with oil mist, the air ducts must be cleaned regularly.

For outdoor setup, adequately protect the motor from the weather.

Ensure easy access for inspection and maintenance.

Mount

The coolers are secured to the mounting rails with four screws. Be sure the support structure is adequately sized. Install in any position.

Connecting the oil circuit

The connection between the system and the cooling matrix should be stress and vibration free, which can be achieved by using conduit.

Follow the appropriate safety regulations to prevent environmental damage due to possible oil leaks (e.g. collection pans).

Technical Data

Technical Data

Materials/surface protection

Cooling matrix:	Aluminium, powder-coated
Fan hub:	Aluminium, bare
Fan blades:	Glass-reinforced polypropylene (PPG), bare
Ventilation box, guard and motor brackets:	Steel, galvanised, powder-coated
Screw connections:	V2A stainless steel
Hydraulic screw fittings:	Steel, zinc-nickel coated
Hose:	synthetic rubber
Pump:	anodised aluminium, sintered steel
Motor:	Housing die-cast aluminium, painted

Colour:	Steel parts: RAL 9005, jet black Motor: RAL7031 blue grey (special colours on request)
----------------	--

Surface protection:	Steel parts: ISO 12944, C3 medium Motor: ISO 12944, C3 medium (higher on request)
----------------------------	---

Operating fluids:	Mineral oils per DIN 51524 Gear oil per DIN 51517-3
--------------------------	--

generated operating pressure, static:	2.5/5.1/9.2/13.3 gpm - max. 87 psi 18.4/27.9 gpm - max. 116 psi
--	--

Suction pressure:	max. -6 psi
--------------------------	-------------

Operating oil temperature:	max. 176 °F (higher upon request)
-----------------------------------	-----------------------------------

max. viscosity:	100 cSt medium viscosity (higher upon request)
------------------------	--

Ambient temperature:	-4 °F to 104 °F
-----------------------------	-----------------

max. set-up altitude:	3.3 ft (higher on request)
------------------------------	----------------------------

Electric motors (others available upon request)

Voltage/frequency:	230/400 V 50 Hz 460 V 60 Hz (special voltages/motor approvals on request)
---------------------------	---

Thermal stability:	Class of insulating material F, utilisation per Class B (higher on request)
---------------------------	---

IP rating:	IP55 (higher on request)
-------------------	--------------------------

The motors comply with standards
IEC 60034, IEC 60072, IEC 60085, EU 2019/1781

Calculation example and nomenclature

Determination

An oil/air cooler is determined in two steps:

1. Determining or selecting the cooler size
2. Determining the actual pressure loss

t_{OE} [°F]	Inlet oil temperature
t_{LE} [°F]	Inlet air temperature
ETD [°F]	Temperature differential: $ETD = t_{OE} - t_{LE}$
P_{spec} [hp / °F]	specific cooling performance (see performance curves): $P_{spec} = P / ETD$
P [hp]	Cooling performance in hp
Q [gpm]	Oil flow rate
C_{oil} [BTU/lb·°F]	Specific heat capacity of the oil (approx. 0,48 BTU/lb·°F)
ζ [lb/gal]	Gravity of oil $\approx 7,51$ lb/gal

Calculation example

Assumptions:

Tank capacity	(V)	approx. 52.8 gal
Start up temperature of oil	(T ₁)	59 °F (≈ 288 K)
Oil heats up in approx. t = 25 min. (1500 s) to	(T ₂)	113 °F (≈ 318 K)
Required oil temperature	(t _{OE})	140 °F
Inlet air temperature	(t _{LE})	86 °F

Calculation

1st Calculating P from the tank warming

$$P = \frac{V \cdot \zeta \cdot c_{oil} (T_2 - T_1)}{t} = \frac{52.8 \text{ gal} \cdot 0.9 \frac{\text{kg}}{\text{l}} \cdot 2 \frac{\text{kJ}}{\text{kg} \cdot \text{K}} \cdot (318 \text{ K} - 288 \text{ K})}{1500 \text{ s}} = 7.2 \text{ kW}$$

2. $ETD = t_{OE} - t_{LE} = 140 \text{ °F} - 86 \text{ °F} = 54 \text{ °F}$
3. Determining the cooler size: $P_{spec} = P / ETD = 9,7 \text{ hp} / 54 \text{ °F} \approx 0.18 \text{ hp/°F}$
4. In performance curves with 80 L/min (21.1 gpm), select a cooler with $P_{spec} 0.18 \text{ hp/°F}$. → ENK 300 with 30 L (7.93 gal) pump

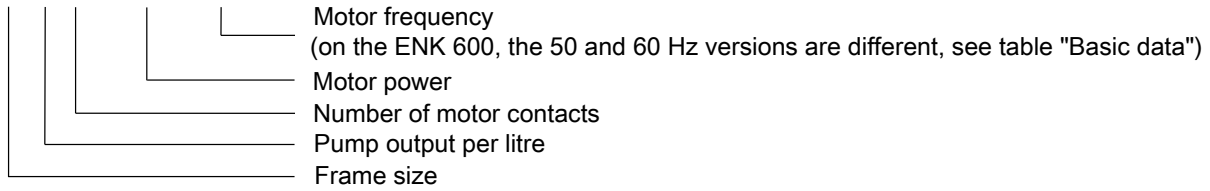
Basic data

Item no.	Cooler model	spec. cooling capacity hp/°F		Cooling capacity at ETD = 72 °F (hp)		max. circulation rate (gpm)		Power output Number of contacts Rated current		Weight (lb)	Volume (gal)	Noise db(A)*			
		50 Hz	60 Hz	50 Hz	60 Hz	50 Hz	60 Hz	400 V 50 Hz	460 V 60 Hz			50/60 Hz	50/60 Hz	50 Hz	60 Hz
36ENK100406	ENK 100-8-4-0.75kW-50/60Hz	0.1	0.12	4	4.8	2.1	2.5	1.01 hp/4/1.77 A	1.17 hp/4/1.74 A	60	0.5	68	71		
36ENK100401	ENK 100-15-4-0.75kW-50/60Hz	0.12	0.13	4.6	5.4	4.2	5.0								
36ENK100402	ENK 100-30-4-0.75kW-50/60Hz	0.13	0.21	5.4	6.3	7.7	9.2								
36ENK200401	ENK 200-15-4-0.75kW-50/60Hz	0.24	0.21	7.4	8.6	4.2	5.0			2.95 hp/4/4.65 A	3.42 hp/4/4.58 A	68	0.53	69	72
36ENK200402	ENK 200-30-4-0.75kW-50/60Hz	0.22	0.25	8.9	10.2	7.7	35								
36ENK300401	ENK 300-15-4-0.75kW-50/60Hz	0.23	0.25	9.1	10.1	4.2	5.0								
36ENK300402	ENK 300-30-4-0.75kW-50/60Hz	0.34	0.37	13.7	14.9	7.7	9.2								
36ENK400402	ENK 400-30-4-0.75kW-50/60Hz	0.44	0.51	17.6	20.4	7.7	9.2	130	0.98	74	78				
36ENK400403	ENK 400-60-4-2.2kW-50/60Hz	0.52	0.6	20.8	24.1	15.3	18.5								
36ENK400404	ENK 400-90-4-2.2kW-50/60Hz	0.58	0.66	23.1	26.3	23.4	27.7	4.02 hp/4/6.26 A	-	143	1.11	77	81		
36ENK500403	ENK 500-60-4-2.2kW-50/60Hz	0.67	0.78	26.8	31.1	15.3	18.5								
36ENK500404	ENK 500-90-4-2.2kW-50/60Hz	0.71	0.82	28.4	32.7	23.4	27.7								
36ENK600413	ENK 600-60-4-3.0kW-50Hz	0.9	-	36.2	-	15.3	-	-	4.67 hp/4/6.1 A	165	1.32	82	-		
36ENK600414	ENK 600-90-4-3.0kW-50Hz	0.98	-	39.2	-	23.4	-								
36ENK600423	ENK 600-70-4-3.48kW-60Hz	-	0.94	-	37.5	-	18.5	-	4.67 hp/4/6.1 A	-	-	-	84		
36ENK600424	ENK 600-105-4-3.48kW-60Hz	-	1.02	-	40.8	-	27.7								

*DIN EN ISO 3744, Class 3

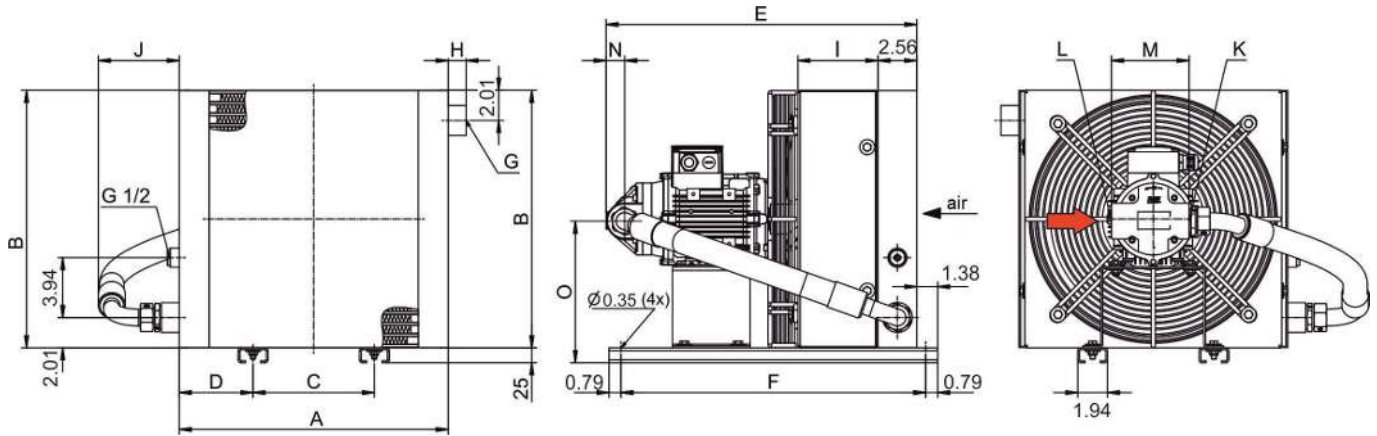
Model key

ENK 300-15-4-0.75kW-50/60Hz



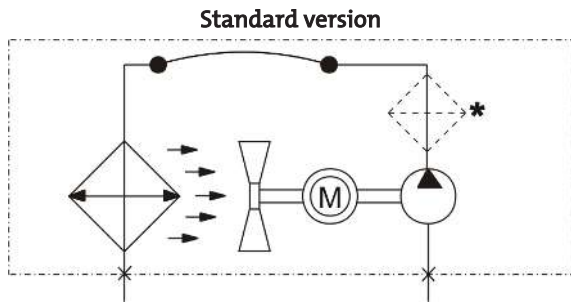
Dimensions

ENK 100-600

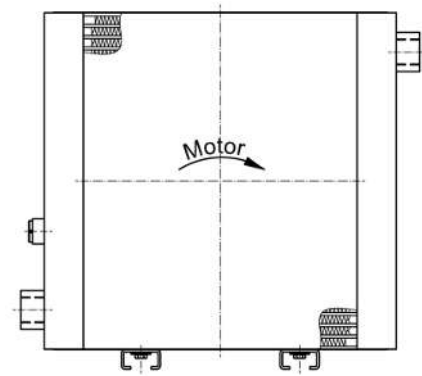


Type	A	B	C	D	E	F	G	H	I	J	K	L	M	N	O
ENK 100-8-4-0.75kW-50/60Hz												G 3/4	5.59"		
ENK 100-15-4-0.75kW-50/60Hz	12.2"	11.42"		2.13"	19.25"										6.57"
ENK 100-30-4-0.75kW-50/60Hz					19.17"		G 3/4	0.98"	4.09"	3.66"					
ENK 200-15-4-0.75kW-50/60Hz	14.76"	13.98"		3.39"	18.98"	20.08"					G1	G1 1/4	5.12"	1.22"	7.83"
ENK 200-30-4-0.75kW-50/60Hz			7.99"		18.9"										
ENK 300-15-4-0.75kW-50/60Hz	17.72"	16.93"		4.88"	20.55"				5.28"	4.17"					9.33"
ENK 300-30-4-0.75kW-50/60Hz					20.47"										
ENK 400-30-4-0.75kW-50/60Hz					21.18"										
ENK 400-60-4-2.2kW-50/60Hz	20.08"	19.33"		10.04"	26.26"				5.71"						10.51"
ENK 400-90-4-2.2kW-50/60Hz					27.64"									2.13"	
ENK 500-60-4-2.2kW-50/60Hz	22.44"	21.69"		4.21"	26.65"		G1	1.18"						1.22"	
ENK 500-90-4-2.2kW-50/60Hz					28.03"				6.3"					2.13"	11.69"
ENK 600-60-4-2.2kW-50/60Hz			14.02"		27.83"	24.02"				4.76"	G1 1/4	G1 1/2	5.31"	1.22"	
ENK 600-90-4-2.2kW-50/60Hz					29.21"									2.13"	
ENK 600-70-4-3.48kW-60Hz	24.8"	24.06"		5.39"	27.83"				6.89"					1.22"	12.87"
ENK 600-105-4-3.48kW-60Hz					29.21"									2.13"	

Functional diagram



* recommended position of additional oil filter



The oil inlet is on the left of the cooling matrix. The oil outlet is always on the opposite side.